

TIC PUMPING STATION

edwardsvacuum.com

TIC pumping stations are configurable with turbomolecular pump speeds ranging from 47 to 400 ls⁻¹ and a choice of oil sealed or dry backing pumps ranging from 1 to 20 m³h⁻¹. They are supplied fully assembled and ready to run straight out of the box.

All feature an integrated TIC turbo and instrument controller, offering full control of the package via a simple intuitive interface.

They also all come with common accessories such as mist filters and mains cables as appropriate to the chosen pumps.

As high end stations should: they include RS232 serial communications and Windows[®] software for monitoring and control.



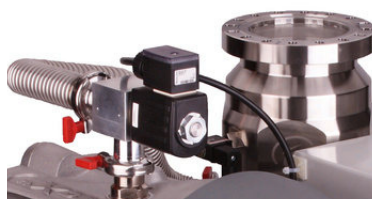
FEATURES AND BENEFITS

User serviceable

nEXT turbo pumps and backing pumps are fully user serviceable: not only they are quick and easy to service, but this means an extended lifetime for your pumping station.

Vent valve option

Optional turbomolecular pump vent valve can be ordered as part of cart assembly.



Fully controllable

TIC turbo and instrument controller offers full control of pumps and up to 3 active gauges as well as full serial remote communications.

Robust metal frame

All metal frame with locking castors for a robust but easily mobile system. Bench mounting kit included for safe bench top operation.

Low vibration

Backing pump mounted on anti-vibration mounts for low levels of transmitted vibration. The ideal partner for both laboratory as well as light industrial settings.

CUSTOMISE YOUR PUMPING STATION

Developed to provide a comprehensive vacuum solution with the latest technological advances for easy installation and operation.

1

Choose your turbopump: pumping speed from 84 to 400 ls^{-1}

and inlet flanges from DN40 to DN160.



nEXT85
(84 ls^{-1})



nEXT240
(240 ls^{-1})



nEXT300
(300 ls^{-1})



nEXT400
(400 ls^{-1})

2

Choose your backing pump: pumping speed from 1.2 to 20 m^3h^{-1}

9 backing pumps available from the 'EM' and 'RV' oil sealed rotary vane pumps, the XDDI diaphragm pump, to the dry scroll technology of the nXDS and mXDS3s models.



E2M1.5 (1.6 m^3h^{-1})



RV5 (5.1 m^3h^{-1})



RV12 (12.0 m^3h^{-1})



XDD1 (1.2 m^3h^{-1})



mXDS3s (3 m^3h^{-1})

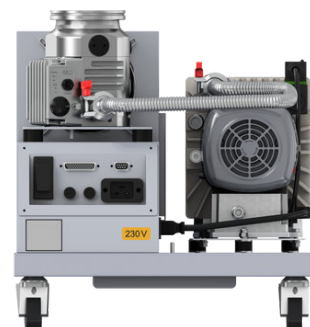


nXDS6i/10i/15i/20i
(6.2 to 20 m^3h^{-1})

3

Select your voltage

- 220-240 V 50/60 Hz (Europe)
- 110-120 V 50/60 Hz (USA)
- 200 V 50/60 Hz (Japan)
- 220-240 V 50/60 Hz (UK)



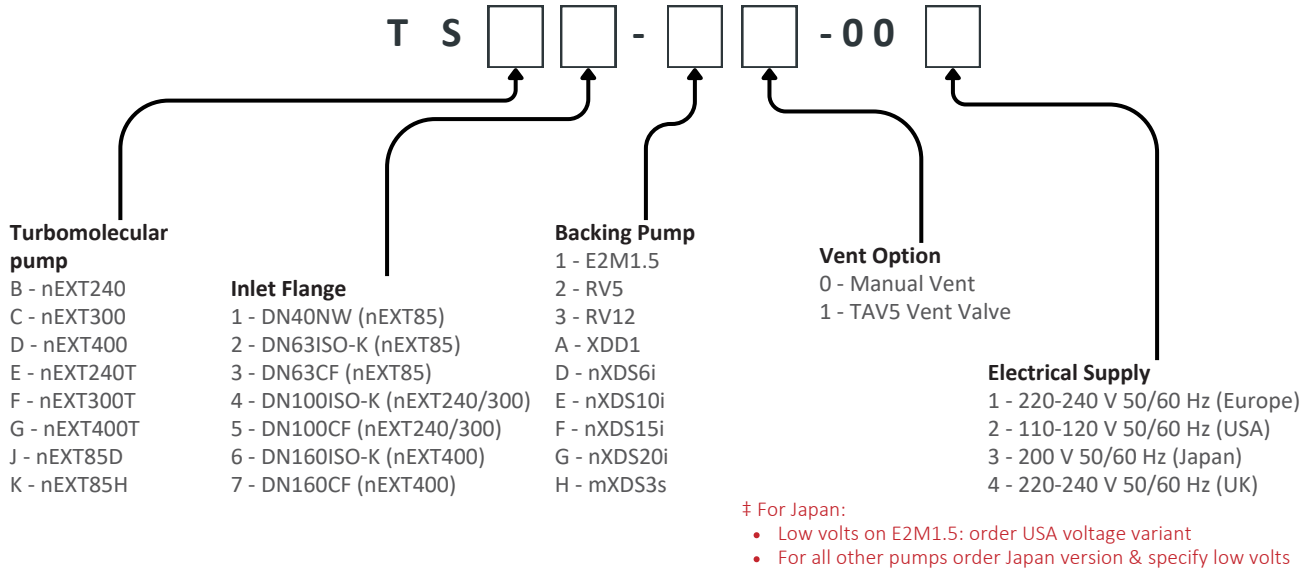
TECHNICAL DATA

	Unit	TIC Pumping Station 85	TIC Pumping Station 240	TIC Pumping Station 300	TIC Pumping Station 400
Pumping speed for N2					
NW40	l/s	47	-	-	-
ISO63CF63		84	-	-	-
ISO100/CF100		-	240	300	-
ISO160/CF160		-	-	-	400
Compression ration for N2		> 1 x 10 ¹¹			
Backing pump speed	m ³ h ⁻¹	1,2 - 20			
Ultimate vacuum	mbar	<5x10 ⁻⁸ - <5x10 ⁻¹⁰			
Mass	kg	25 - 55			
Noise level	dB(A)	54 (+/- 2.5)			
Operating temperature					
Dry vacuum pumps	°C	+ 5 to + 40			
Wet vacuum pumps		+ 12 to + 40			



ORDERING MATRIX - TIC PUMPING STATIONS

Select the most appropriate combination for your application.



ORDERING INFORMATION - ACCESSORIES & CORDS

	Description	Order number
Accessories	EMF3 mist filter for E2M1.5	A46220000
	N/C TAV5 vent valve connector fitted	B8G200835
	N/O TAV5 vent valve connector fitted	B8G200834
	APG200 - XLC active Pirani gauge NW16	D1G2011100
	AIM200 - X - active inverted magnetron gauge NW25	D2G0021100
	WRG200-X-active wide range gauge NW25	D3G0021100
	APGX-H active linear convection gauge NW16	D02391000
Cord sets	2m electrical supply cable UK plug	A50505000
	2m electrical supply cable EU plug	A50506000
	2m electrical supply cable USA/Japan plug	A50507000
	2m electrical supply cable no plug	A50508000
	0.5 m active gauge cable	D40001005
	1 m active gauge cable	D40001010

Publication Number: 3601 0444 01 © Edwards Limited 2024. All rights reserved Edwards and the Edwards logo are trademarks of Edwards Limited.

Whilst we make every effort to ensure that we accurately describe our products and services, we give no guarantee as to the accuracy or completeness of any information provided in this datasheet.

Edwards Ltd, registered in England and Wales No. 6124750, registered office: Innovation Drive, Burgess Hill, West Sussex, RH15 9TW, UK.

